

FOR INDOOR AND OUTDOOR USE IMPORTANT SAFETY INSTRUCTIONS

WARNING - TO REDUCE THE RISK OF ELECTRIC SHOCK, USE ONLY ON PORTABLE SELF-CONTAINED FOUNTAINS NO LARGER THAN 5 FEET IN ANY DIMENSION.

WARNING - RISK OF ELECTRIC SHOCK - THIS PUMP IS SUPPLIED WITH A GROUNDING CONDUCTOR AND GROUNDING TYPE ATTACHMENT PLUG. TO REDUCE THE RISK OF ELECTRIC SHOCK, BE CERTAIN THAT IT IS CONNECTED ONLY TO PROPERLY GROUNDED, GROUNDING-TYPE RECEPTACLE.

WARNING - TO REDUCE THE RISK OF ELECTRIC SHOCK, INSTALL ONLY ON A CIRCUIT PROTECTED BY A GROUND-FAULT CIRCUIT-INTERRUPTER (GFCI).

GROUNDING INSTRUCTION

WARNING - RISK OF ELECTRIC SHOCK - THIS PUMP IS SUPPLIED WITH A GROUNDING CONDUCTOR AND GROUNDING-TYPE ATTACHMENT PLUG. TO REDUCE THE RISK OF ELECTRIC SHOCK, BE CERTAIN THAT IT IS CONNECTED ONLY TO A PROPERLY GROUNDED, GROUNDING-TYPE RECEPTACLE.

WARNING - TO GUARD AGAINST INJURY, BASIC SAFETY PRECAUTIONS SHOULD BE OBSERVED, INCLUDING THE FOLLOWING:

- A) **READ AND FOLLOW ALL SAFETY INSTRUCTIONS.**
- B) **DANGER** - TO AVOID POSSIBLE ELECTRIC SHOCK, SPECIAL CARE SHOULD BE TAKEN SINCE WATER IS EMPLOYED AND INTENDED FOR FOUNTAINS, WATERFALLS, AND PONDS, WHICH ARE COMPLETELY SUBMERSED FOR PUMPING WATER AND ARE SUITABLE FOR OUTDOOR USE. FOR EACH OF THE FOLLOWING SITUATIONS, DO NOT ATTEMPT REPAIRS BY YOURSELF; RETURN THE APPLIANCE TO AN AUTHORIZED SERVICE FACILITY FOR SERVICE OR DISCARD THE APPLIANCE. IF THE APPLIANCE SHOWS ANY SIGN OF ABNORMAL WATER LEAKAGE, IMMEDIATELY UNPLUG IT FROM THE POWER SOURCE. DO NOT OPERATE ANY APPLIANCE IF IT HAS DAMAGED CORD OR PLUG, OR IF IT IS MALFUNCTIONING OR HAS BEEN DROPPED OR DAMAGED IN ANY MANNER.
- C) CLOSE SUPERVISION IS NECESSARY WHEN ANY APPLIANCE IS USED BY OR NEAR CHILDREN.
- D) TO AVOID INJURY, DO NOT CONTACT MOVING PARTS DIRECTLY.
- E) CAREFULLY EXAMINE THE PUMP AFTER INSTALLATION, IT SHOULD NOT BE ENERGIZED IF THERE IS WATER ON PARTS NOT INTENDED TO BE WET.
- F) ALWAYS UNPLUG AN APPLIANCE FROM AN OUTLET WHEN NOT IN USE, BEFORE PUTTING ON OR TAKING OFF PARTS, AND BEFORE CLEANING. NEVER YANK CORD TO PULL PLUG FROM OUTLET. GRASP THE PLUG AND PULL TO DISCONNECT.
- G) DO NOT USE AN APPLIANCE FOR OTHER THAN INTENDED USE.
- H) READ AND OBSERVE ALL THE IMPORTANT NOTICES ON THE APPLIANCE.
- I) DO NOT PUMP FLAMMABILITY OR HEATED LIQUIDS.
- J) **DO NOT RUN DRY.**
- K) DO NOT CONNECT TO ANY VOLTAGE OTHER THAN SHOWN ON THE PUMP.
- L) ENSURE THAT THE POWER SUPPLY CORD LOOPS BELOW THE ELECTRICAL OUTLET TO FORM A "DRIP LOOP". THIS WILL PREVENT WATER FROM RUNNING DOWN THE CORD INTO THE ELECTRIC OUTLET.

SAVE THESE INSTRUCTIONS

75-150

FLOW CHART

TECHNICAL DATA

- 120 Volt
- 60Hz
- 13 Watts
- 158 gal/hr
- 5.4" max head
- 6 ft of cable

Adjustable flow control valve
Reduced cleaning - inlet design - minimizes blocking
Economical, compact motor
Fits hose 3/8" / 1/2"

35-75

FLOW CHART

TECHNICAL DATA

- 120 Volt
- 60Hz
- 5.75 Watts
- 75 gal/hr
- 2.7" max head
- 6 ft of cable

Adjustable flow control valve
Reduced cleaning - inlet design - minimizes blocking
Economical, compact motor
Fits hose 3/8" / 1/2"

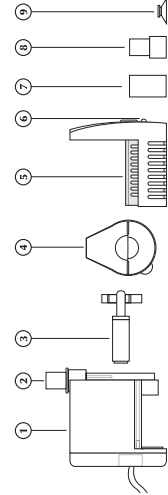
3. GETTING TO KNOW YOUR PUMP

1. CONTENTS

- Getting to know your pump 2
- Parts descriptions/spares codes - with exploded diagram 2
- Technical specifications 3
- Pump performance flow / chart 3
- Installation 4
- Electrical Installation 4
- Pump connection and adjustment 4
- Maintenance and cleaning 5
- Cleaning 5
- Routine maintenance 5
- Winter storage 5
- Troubleshooting 6
- Faults and problems procedure 6
- Guarantee 7

2. GETTING TO KNOW YOUR PUMP

Getting to know your fountain pump 35-75 / 75-150



No.	Part Description	Code
1.	Pump motor	N/A
2.	Pump outlet	N/A
3.	Impeller complete	3575: 100521187 75-150: 100521188
4.	Impeller cover	N/A
5.	Prefilter cover	N/A
6.	Flow adjuster	N/A
7.	1/2" hose fitting	N/A
8.	3/8" hose fitting	N/A
9.	Rubber sucker	N/A

Aquagarden® UNIVERSAL Hydroponic & Aquaponic Water Pump

FOR PUMP MODELS
35 - 75 • 75 - 150



Please visit www.penningtonaquagarden.com for helpful hints, tips, how-to videos and spares

www.penningtonaquagarden.com
PenningtonAquagarden
Instructions español disponible descargar en: www.youtube.com/user/PenningtonAquagarden



Aquagarden products by Pennington have been exclusively designed in partnership with Interpet UK, a leading British water garden company.

Pennington,
1280 Atlanta Hwy,
Madison,
GA 30650
www.PenningtonAquagarden.com

Leaflet Code: 15/07/22

4. INSTALLATION

ELECTRICAL SAFETY INFORMATION:

Caution: Household indoor and outdoor use.



WARNING - Risk of Electric Shock. Mount the unit at a height greater than 1 foot from the ground surface. Install only to covered Class A GFCI receptacle that has an enclosure that is weatherproof with the attachment plug cap inserted or removed.

The power supply must meet the specification of the product.

Pump

The electric cord is permanently connected and sealed in the motor body. If the supply cord is damaged the pump must not be used. Do not use the supply cord to lift the pump as this may cause damage.



WARNING - All models must be used with a GFCI. To reduce the risk of electric shock, connect only to a properly grounded, grounding-type receptacle. To reduce the risk of electric shock, install only on a circuit protected by a ground fault circuit interrupter (GFCI).

Do not remove the grounding pin from the power cord plug. This pump has been evaluated for use with fresh water only. Attention has been drawn to the fact that special rules may exist concerning the installation of your pump. These pumps must not be used in swimming pools, or areas where people are in contact with the water. Always disconnect the power source whilst the equipment is being installed, repaired, maintained or handled.



WARNING - The pump is provided with a thermal cut out that temporarily switches off the pump in case of overheating and the pump may automatically restart. **WARNING - Never run the inpond out of water for prolonged periods as this may cause irreparable damage.** **WARNING - Risk of electric shock - This has not been investigated for use in swimming pools or marine areas.**

GROUNDING INSTRUCTIONS - This appliance must be grounded. In the event of a malfunction or breakdown, grounding will reduce the risk of electric shock by providing a path of least resistance for electric current. The appliance is equipped with a cord having an appliance-grounding conductor and a grounding plug. The plug must be plugged into an appropriate outlet that is installed and grounded in accordance with all local codes and ordinances.

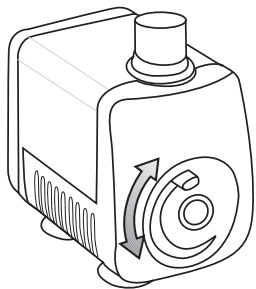


WARNING - Improper connection of the appliance-grounding conductor can result in a risk of electric shock. Check with a qualified electrician or service representative if you are in doubt whether the appliance is properly grounded. Do not modify the plug provided with the appliance: if it will not fit the outlet, have a proper outlet installed by a qualified technician.

Locating your pump

The pump should be located on a firm and level base in the pond / water feature. The pump should be covered with water at all times. Make sure that there is ample cable from the mains supply. Place the pump in the desired location, attach the hose connector that is suited to your water feature.

Tip: The larger 1/2" hose fitting will give maximum performance when fitted to the pump.



The flow control can now be adjusted, see adjusting flow control diagram.

Slide control valve to adjust flow

5. MAINTENANCE & CLEANING



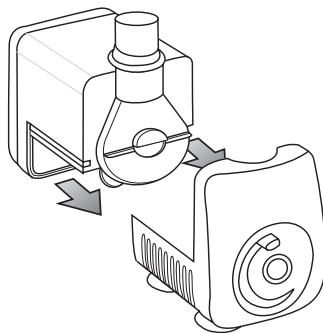
WARNING - Failure to carry out routine maintenance leaving the pump under reduced or no flow conditions (i.e. run dry or blocked prefilter) will result in a shorter pump life and may invalidate the guarantee.

Routine maintenance

1. Switch off electricity.
2. Remove the pump from the feature.
3. Follow steps 1, 2 and 3.

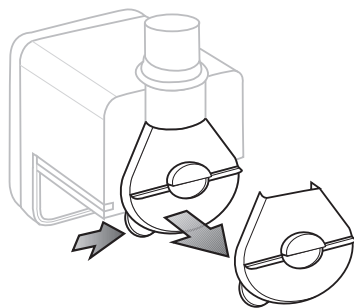
Step 1

Firmly pull the filter cage from the motor. Wash thoroughly in fresh water.



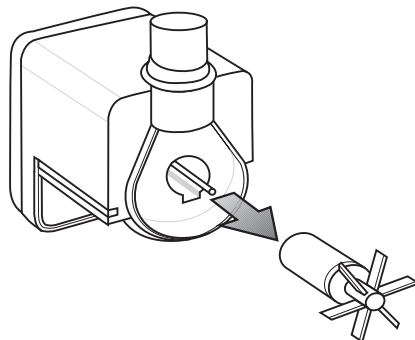
Step 2

Push tab to remove impeller cover.



Step 3

Remove impeller from the pump motor. Wash thoroughly in fresh water.



5. MAINTENANCE & CLEANING

Annual Maintenance

Dismantle pump and examine all parts for wear or damage, replacing any parts that show obvious wear and/or damage. (See getting to know your pump for parts/description and replacement parts codes.) Particular care should be taken to examine the cable entry point and the cable; if there is any sign of damage the pump should be discarded.

Winter Storage

The pump can be run in the pond or feature during the winter but care should be taken to ensure that it is fully immersed and cannot freeze solid. If the pump is not used during the winter, follow annual maintenance procedure and store frost-free in the house or garage until spring.

6. TROUBLESHOOTING

Low flow from the pump

1. Ensure that the pump is fully submersed, and not sucking air due to lack of water in your feature.
2. Follow routine maintenance.
3. Ensure that the pipe work is not blocked, leaking or is laid so that it gets crushed or kinked.
4. Keep the height that water is to be pumped from the water surface (called head) to a minimum. The higher the head the lower the flow rate and the more wear on the pump.
5. Use the largest diameter, smoothest bore hose over the shortest distance and keep hose fittings to a minimum. This removes frictional loss of flow and so increases pump flow rates.

No flow from the Pump

1. Check that the pump has not run dry due to lack of water.
2. Check power supply is on.
3. Check fuse and wiring (SEE ELECTRICAL INSTALLATION).
4. Follow low flow procedure as above.

6. TROUBLESHOOTING

Faults problems procedure

Before returning your fountain pump to your dealer or contacting our Consumer Advice Department, please carry out the following steps. This will solve most problems quickly and easily.

1. Ensure electrical procedure has been followed fully. Check fuse and any cable connectors/switch boxes.

NOTE: If the pump has overheated the thermal overload will temporarily switch off the pump.

2. (a) Follow routine maintenance and check pump
(b) Follow troubleshooting guide.
(c) Follow annual maintenance guide.
3. Return pump to point of purchase for inspection and advice (you may need proof of purchase).

Please visit www.penningtonaquagarden.com for helpful hints, tips, how-to videos and spares.

Consumer Advice contact details

Pennington
1280 Atlanta Hwy.
Madison, GA
30650
Tel: 1-800-285-7333

www.penningtonaquagarden.com

Pennington with design is a registered trademark of Pennington Seed, Inc.

7. GUARANTEE

This product is guaranteed against defects in material and workmanship for 2 years from the date of purchase, under normal usage. The guarantee DOES NOT APPLY in case of improper use, negligence, lack of maintenance or accidental damage to the pump. If the pump fails due to a manufacturing fault within this period it will be either repaired or replaced free of charge. Liability is limited to replacement of the faulty product only; no other costs will be reimbursed. The guarantee is not transferable and does not affect your statutory rights. This guarantee does not confer any rights other than those expressly set out above. Excludes the pump impeller which may require replacing annually. If any parts need replacing, spares are available from your retailer.